

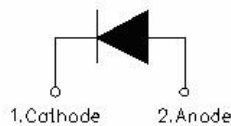
SDURK20FU60 ULTRAFAST RECTIFIER



Applications

- Antiparallel diode for high frequency switching devices
- Anti saturation diode
- Snubber diode
- Free wheeling diode in converters and motor control circuits
- Rectifiers in switch mode power supplies (SMPS)
- Inductive heating and melting
- Uninterruptible power supplies (UPS)
- Ultrasonic cleaners and welders

Circuit Diagram



Features

- Ultra-Fast switching
- High current capability
- Low reverse leakage current
- High surge current capability
- This is a Pb - Free Device
- Terminals finish: 100% Pure Tin
- All SMC parts are traceable to the wafer lot
- Additional testing can be offered upon request

Maximum Ratings@T_A=25°C unless otherwise specified

Characteristics	Symbol	Condition	Max.	Units
Peak Repetitive Reverse Voltage	V _{RRM}	-	600	V
Working Peak Reverse Voltage	V _{RWM}			
DC Blocking Voltage	V _R			
Average Rectified Forward Current in DC	I _{F(AV)}	T _c =76°C	20	A
Peak One Cycle Non-Repetitive Surge Current	I _{FSM}	8.3ms, Half Sine pulse	130	A

Electrical Characteristics:

Characteristics	Symbol	Condition	Typ.	Max.	Units
Forward Voltage Drop *	V _{F1}	@20A, Pulse, T _J = 25°C	1.98	2.5	V
	V _{F2}	@20A, Pulse, T _J = 125°C	1.69	2.3	V
Reverse Current *	I _{R1}	@V _R = rated V _R , T _J = 25°C	0.02	10	μA
	I _{R2}	@V _R = rated V _R , T _J = 125°C	8	500	uA
Reverse Recovery Time	t _{rr}	I _F =500mA, I _R =1A, and I _{rm} =250mA	20	30	ns
Reverse Recovery Time	t _{rr}	I _F = 20A, diF/dt = 200A/μs V _R = 400V, T _J = 25°C	23	-	ns
Reverse Recovery Charge	Q _{rr}		39	-	nC
Reverse Recovery Current	I _{RRM}		3.2	-	A
Reverse Recovery Time	t _{rr}	I _F = 20A, diF/dt = 200A/μs V _R = 400V, T _J = 125°C	76.5	-	ns
Reverse Recovery Charge	Q _{rr}		250	-	nC
Reverse Recovery Current	I _{RRM}		5.8	-	A

* Pulse width < 300 μs, duty cycle < 2%

Thermal-Mechanical Specifications:

Characteristics	Symbol	Condition	Specification	Units
Junction Temperature	T _J	-	-55 to +175	°C
Storage Temperature	T _{stg}	-	-55 to +175	°C
Typical Thermal Resistance Junction to Case	R _{θJC}	DC operation	2.5	°C/W
Approximate Weight	wt	-	1.6	g
Case Style	ITO-220AC-2L			

Ratings and Characteristics Curves

Figure 1 Typical Forward Characteristics

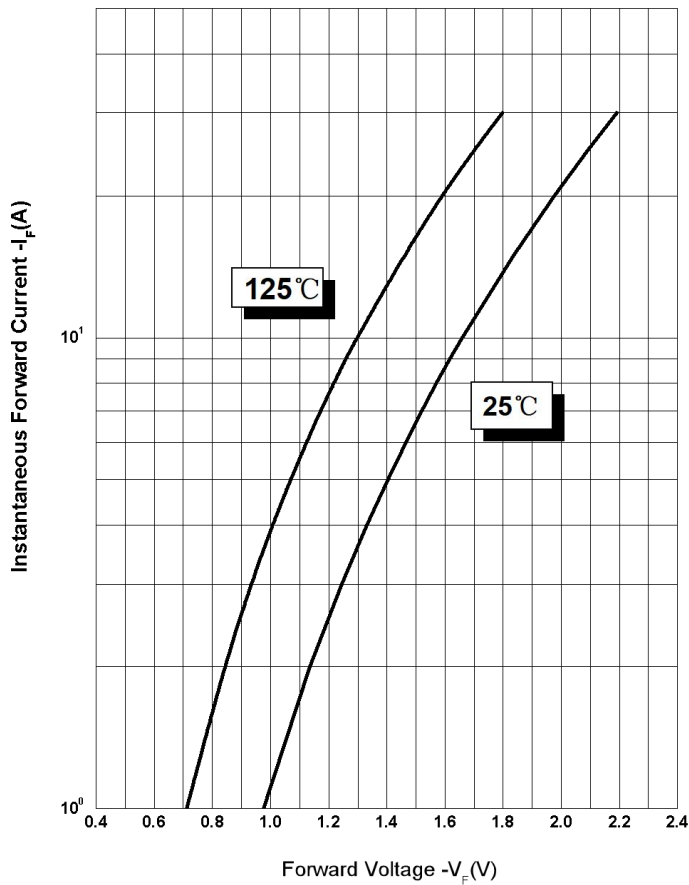


Figure 2 Typical Reverse Characteristics

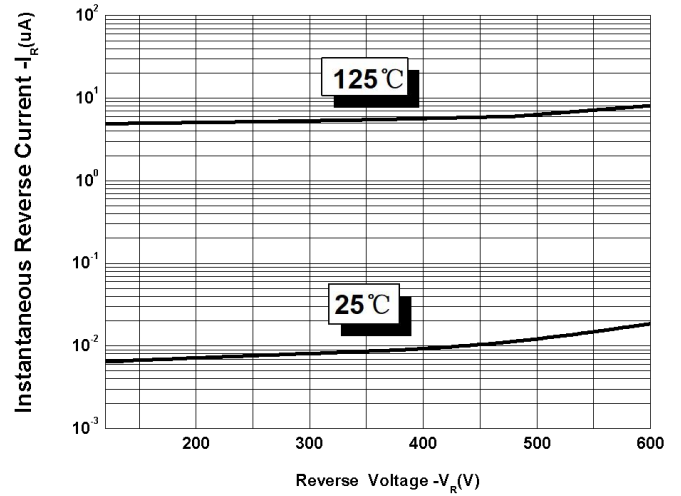
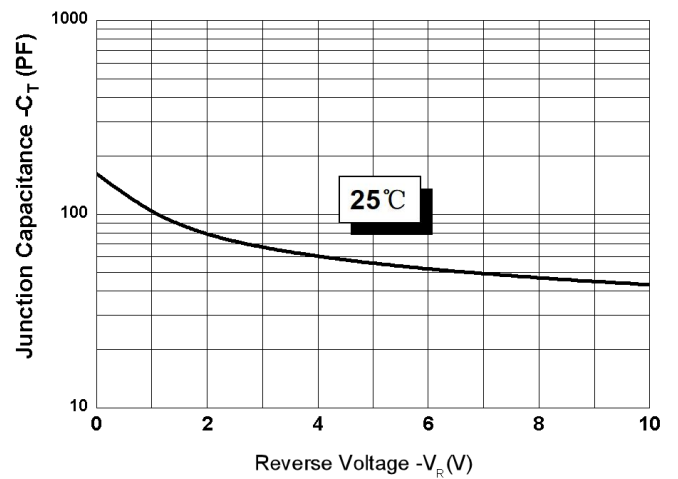
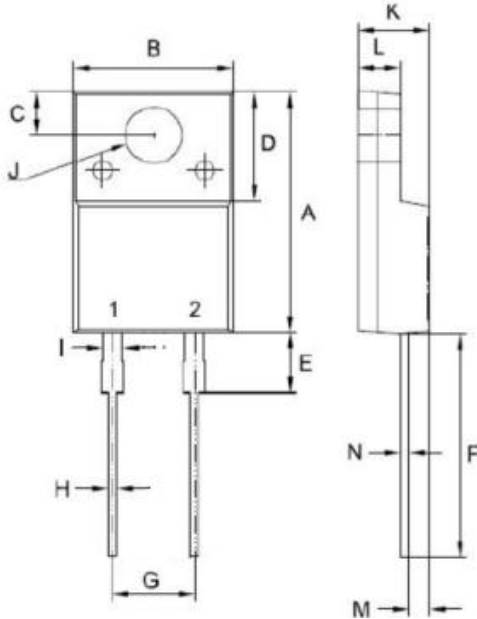


Figure 3 Typical Junction Capacitance

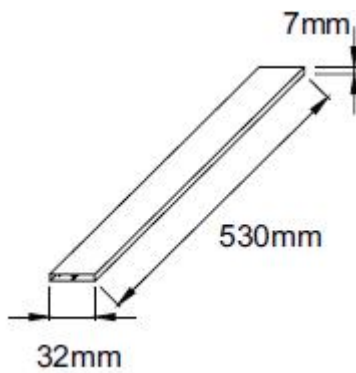


Mechanical Dimensions ITO-220AC-2L

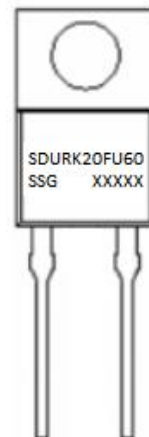


SYMBOL	Millimeters		
	MIN.	TYP.	MAX.
A	14.80	15.00	15.20
B	9.80	10.00	10.20
C	2.50	2.70	2.90
D	6.55	6.75	6.95
E	3.65	3.85	4.05
F	13.30	13.50	13.70
G	4.85	5.05	5.25
H	0.40	0.60	0.80
I	1.10	1.30	1.50
J	3.25	3.45	3.65
K	4.25	4.45	4.65
L	2.52	2.72	2.92
M	1.09	1.29	1.49
N	0.47	0.55	0.63

Tube Specification



Marking Diagram



Where XXXXX is YYWWL

- SDUR = Device Type
- K = Package type
- 20 = Forward Current (20A)
- FU = FU
- 60 = Reverse Voltage (600V)
- SSG = SSG
- YY = Year
- WW = Week
- L = Lot Number

Cautions: Molding resin
Epoxy resin UL:94V-0

Ordering Information

Device	Package	Shipping
SDURK20FU60	ITO-220AC-2L (Pb-Free)	50 pcs/ tube

DISCLAIMER:

1- The information given herein, including the specifications and dimensions, is subject to change without prior notice to improve product characteristics. Before ordering, purchasers are advised to contact the SMC Diode Solutions sales department for the latest version of the datasheet(s).

2- In cases where extremely high reliability is required (such as use in nuclear power control, aerospace and aviation, traffic equipment, medical equipment, and safety equipment), safety should be ensured by using semiconductor devices that feature assured safety or by means of users' fail-safe precautions or other arrangement.

3- In no event shall SMC Diode Solutions be liable for any damages that may result from an accident or any other cause during operation of the user's units according to the datasheet(s). SMC Diode Solution assumes no responsibility for any intellectual property claims or any other problems that may result from applications of information, products or circuits described in the datasheets.

4- In no event shall SMC Diode Solutions be liable for any failure in a semiconductor device or any secondary damage resulting from use at a value exceeding the absolute maximum rating.

5- No license is granted by the datasheet(s) under any patents or other rights of any third party or SMC Diode Solutions.

6- The datasheet(s) may not be reproduced or duplicated, in any form, in whole or part, without the expressed written permission of SMC Diode Solutions.

7- The products (technologies) described in the datasheet(s) are not to be provided to any party whose purpose in their application will hinder maintenance of international peace and safety nor are they to be applied to that purpose by their direct purchasers or any third party. When exporting these products (technologies), the necessary procedures are to be taken in accordance with related laws and regulations..